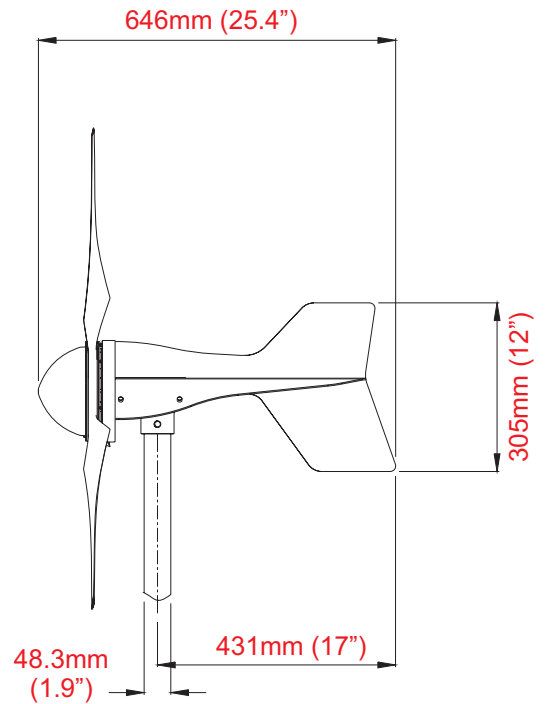
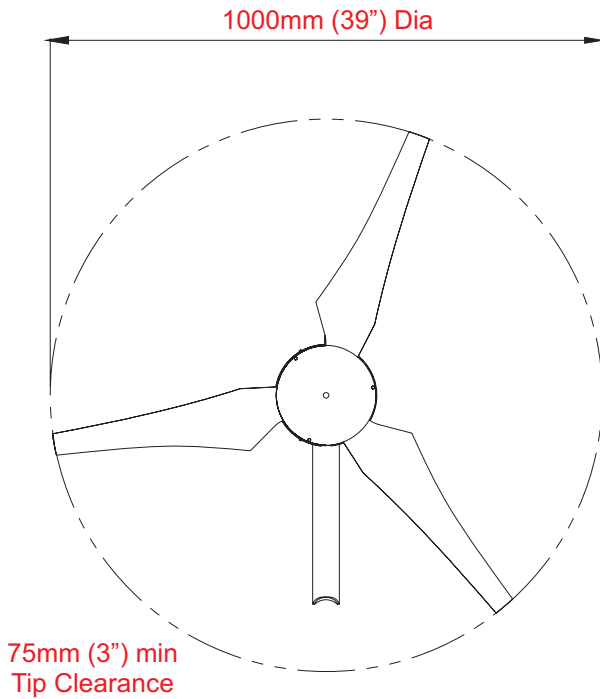


# Wren Micro-turbine

**Samrey Generators  
& Turbines Ltd**

Web: [www.samrey.co.uk](http://www.samrey.co.uk)  
Email: [info@samrey.co.uk](mailto:info@samrey.co.uk)



<b>Rotor Diameter:</b>	<b>1 metre (39")</b>
<b>Rated Wind Velocity:</b>	<b>8m/s (17.8mph)</b>
<b>Rated Output:</b>	<b>85 watts</b>
<b>Maximum Output:</b>	<b>300 watts</b>
<b>Rated rpm:</b>	<b>800 rpm</b>
<b>Cut-in:</b>	<b>350 rpm</b>
<b>Weight:</b>	<b>5.5kg (12lb)</b>
<b>Output Voltage:</b>	<b>12V or 24V DC</b>
<b>Tower Mount:</b>	<b>48.3mm (1.9")</b>
<b>Warranty:</b>	<b>2 years (limited)</b>

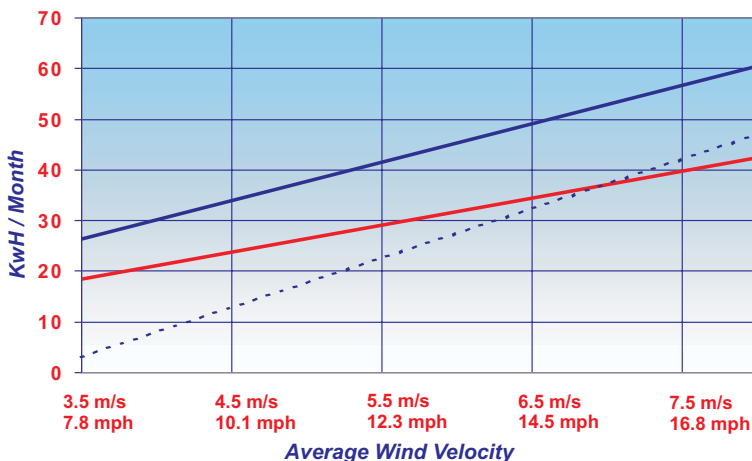
## Predicted Energy Production (monthly):

Every turbine installation is unique and the energy production may deviate from figures listed here due to many factors such as turbulence and wind shadowing. Particular sites for small wind turbine installations should be evaluated on their merits. If in doubt, seek the advice of an expert.

**Blue Line = Ideal Conditions (no turbulence)**

**Red Line = Turbulent Conditions**

**Dashed Line = 'Brand-X' turbine (no turbulence)**



- Only two moving parts & sealed for life bearings
- Proprietary 3-phase axial PMA utilising Neodymium Iron Boron technology
- Suitable for domestic or marine applications
- Quiet operation with low TSR rotor
- Excellent performance at truly **low** wind speeds
- Innovative Injection Moulded blades
- Aesthetic appearance
- Roof or tower mounting possible
- Ideal for PV augmentation
- Tower Kits and mounts available
- 'Plug & Play' with diversion charge controllers
- Available in Low Visibility Black Powder-coat
- Lightweight but heavy duty
- **Generate more Kwh's at low wind speeds!**

